

# EOL Announcement

Due to force majeure factors such as chips and raw materials supply discontinuation, and to achieve unified management of product models and styles, 3onedata announces the end-of-sale and end-of-life dates for the IES5024 V3.0.0 series switches.

IES5024 V3.0.0 series will be phased out in the near future, and new products IES5100 V1.0.0 will be released to meet the needs of customers.

The discontinuation date for the critical service of the related products are shown in Table 1. Also, Table 2 shows substitution relationship between new and old products, and Table 3 shows the differences between the appearance of the IES5024 V3.0.0 series and IES5100 V1.0.0 series.

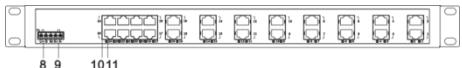
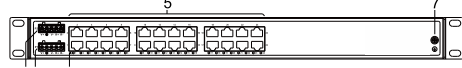
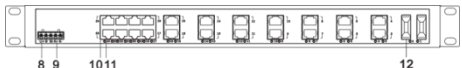
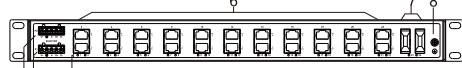
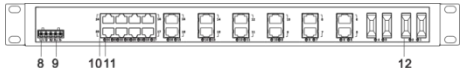
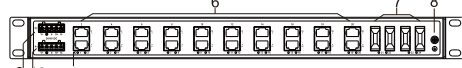
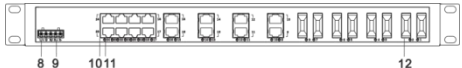
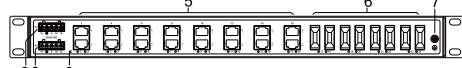

Table 1: End-of-life milestones and dates for 3onedata IES5024 V3.0.0 series.

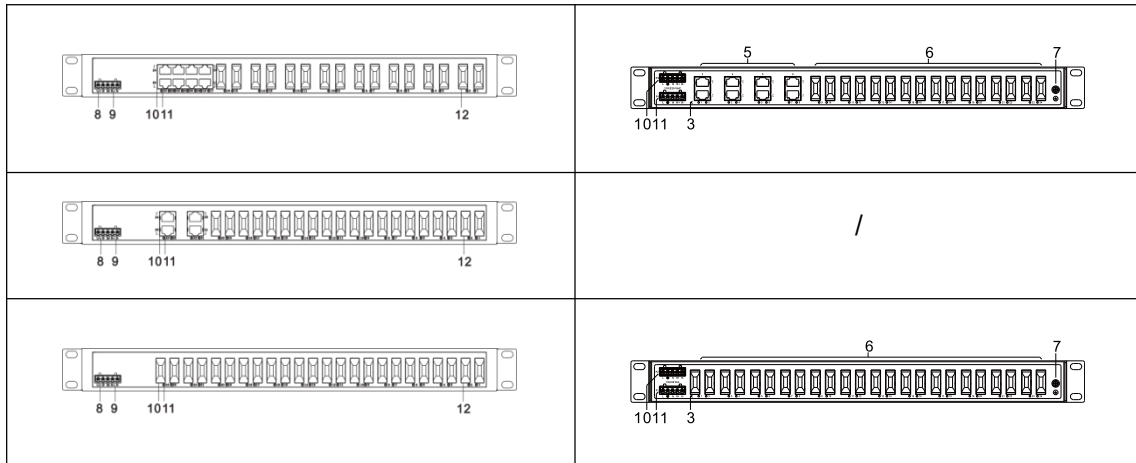
Milestone		Description	Time
Effective Date		The effective date of this announcement document.	2024/07/04
End of sale		The last date to order the IES5024 V3.0.0 series through 3onedata point-of-sale mechanisms. The product is no longer for sale after this date.	2024/09/11
End of production		The last date when the IES5024 V3.0.0 series officially ceased production. After this date, production of this product will no longer be arranged.	2024/12/11
End of Support	End of technical support	The last date 3onedata releases technical support for IES5024 V3.0.0 series. After the day, no technical support will be provided for this product series.	2029/09/03
	End of after-sale service	The last date 3onedata releases after-sale service for IES5024 V3.0.0 series. After the day, no after sale service will be provided for this product series.	2029/09/03

Table 2: List of product substitution relationships

Current Products		Alternative Products	
Model and Version	PN	Model and Version	PN
IES5024 V3.0.0	5002010801002	IES5100-24T V1.0.0	5002017501010
IES5024-2F V3.0.0	5002010802002	IES5100-22T2F V1.0.0	5002017506014
IES5024-4F V3.0.0	5002010803002	IES5100-20T4F V1.0.0	5002017505015
IES5024-8F V3.0.0	5002010804003	IES5100-16T8F V1.0.0	5002017504013
IES5024-12F V3.0.0	5002010805002	/	/
IES5024-16F V3.0.0	5002010806002	IES5100-8T16F V1.0.0	5002017503012
IES5024-20F V2.0.0	5002010807001	/	/
IES5024-24F V2.0.0	5002010808001	IES5100-24F V1.0.0	5002017502011

Table 3: Appearance of the IES5024 V3.0.0 (left) and IES5100 V1.0.0 (right)

IES5024 V3.0.0 series	IES5100 V1.0.0 series
	
	
	
	
	/



**Remark:**

Differences between IES5024 V3.0.0 series and IES5100 V1.0.0 series are as follows:

1. Dimension (W x H x D)

The dimension of IES5024 V3.0.0 series is 441.6\*44.6\*207.9mm. The size of the IES5100 V1.0.0 series is 440\*44\*207mm.

2. Power Supply

The IES5024 V3.0.0 series supports single or dual 100~240VAC/DC, 12~36VDC, or 36~48VDC power supply. The IES5100 V1.0.0 series supports dual 18~72VDC or 85~264VAC/DC power supply.

3. IP Rating

The IES5024 V3.0.0 series is IP30 protection level. The IES5100 V1.0.0 series is IP40 protection level.

We hope that this announcement will help you plan ahead for your future network and this measure will not affect the existing service relationship and quality of service.

The explanation of the above content belongs to 3onedata.

3onedata Co., Ltd.

July 4th, 2024

