

# IES618-4D(RS-485)-P(12-48VDC)

8 port 10/100 Base-TX+4 port RS-485/RS-422 managed Industrial Ethernet switch

## Features

- ◎ Support 8 port 10/100Base-TX and 4 port RS-485/422
- ◎ Support SW-Ring™ redundant network patent technology(Faulty recovery time<20ms)s
- ◎ Support IEEE802.1Q VLAN configuration, Control broadcast storm effectively
- ◎ Support port bandwidth limited function, optimize bandwidth utilize
- ◎ Support IEEE802.1p, QOS
- ◎ Support RSTP
- ◎ Support SNMP
- ◎ Support based on socket application access
- ◎ Support Sever, Client, UDP based mode and Sever, UDP advanced mode
- ◎ Support Windows serial driver procedure mode
- ◎ Support TCP, UDP, ARP, ICMP and DHCP protocol
- ◎ Support cross-gateway and cross-router communication
- ◎ Specific serial self-adapt function (Realcom)
- ◎ Support Web, CLI, Telnet management
- ◎ Support 2K MAC address table
- ◎ Support 2 power supply input and 1 relay alarm output
- ◎ Support port line and redundant network faulty/unusual, local and remote alarm
- ◎ Support IGMP snooping, static multicast filter, port trunking and port mirroring
- ◎ High strength iron shell, IP40 protection
- ◎ Industrial 4 class design
- ◎ Redundant 24VDC power supply input(12~48VDC)
- ◎ -40~75°C working temperature
- ◎ DIN-rail, wall mounting installation



## Introduction

IES618-4D (RS-485) -P(12/48VDC) is a industrial, management, redundant industrial Ethernet switch and integrate 4 port RS-485/422 serial device server, it support 8 port 10/100M Ethernet(RJ45), 4 port RS-485/422, 2 redundant 12~48VDC power input and 1 relay alarm output, it adopt SW-Ring redundant technology (Recovery time<20ms), users can set the redundant easily to increase network reliability, furthermore, it can also support numerous intelligent network management functions, like as IGMP, RSTP, 802.1Q VLAN,

QOS, port trunking and port mirroring etc. It adopted no fan, low power consumption design, IP40, corrugate high strength iron shell, the performance is more steadily. It accorded with CE, FCC standard and Industrial 4 class, DIN rail installation and wide operating temperature (-40~75C), it can satisfied some kinds of industrial environment, it can provide reliable and quickly solution for your Ethernet device.



## Specification

### Technology

Standard: IEEE802.3, IEEE802.3u, IEEE 802.3x, IEEE802.1Q, IEEE802.1p, IEEE802.1D, IEEE802.1W

Protocol: ARP, ICMP, TCP, UDP, DHCP, DNS, HTTP, Telnet, SW-Ring™

Flow control: IEEE802.3x, back pressure control

### Function

Function: SW-Ring™, QOS, 802.1Q VLAN, port-trunking, static multicast filter, port mirroring, Broadcast storm control, flow statistics, upgrade online, up and download configuration file, user name access system.

SW-Ring™: Single, Couple, Chain, Dual homing ring.

Serial device server: 4 port serial device sever, each port support 4pcs TCP or UDP session connection

### Interface

100M Ethernet: 10/100Base-TX self-adapt RJ45 port.

Console port: Procedure debug (RS-232), RJ45

Alarm port: 2 bit 7.62mm terminal block,  
1 channel relay alarm output

### Serial

RS-422 signal: T+, T-, R+, R-, GND

RS-485 signal: D+, D-, GND

Parity: None,Even,Odd,Space,Mark

Data bit: 5bit, 6bit, 7bit, 8bit

Band rate; 300~115200bps

Direction control: RS485 side adopt ADDC technology, auto detect and control data transfer direction

Loading: RS-485/422 side support 32 nodes loop back

Protection: 2KV isolation, 15KV static protection.

Connector: 5 bit terminal block

### Transfer distance

Twisted cable: 100m(CAT5/CAT5e)

RS-485/422: 1200m

### Exchange attribute:

100M transmit speed: 148810pps

Transfer: Store and forward

System exchange bandwidth: 2.0G

Buffer memory: 1MKbit

Support 2K MAC address table

### LED indicator

Power supply indicator: PWR

Alarm indicator: Alarm

System indicator: Run

Ethernet port indicator: Link/Act (1-8)

Serial port indicator: TX(1-4), RX(1-4)

### Power supply

Input voltage: 24VDC(12~48VDC)

Terminal block: 4 bits 7.62mm terminal block

None load consumption: 1.8 W@24VDC

Full load consumption: 3.9 W@24VDC

Support inside over-current 4.0A protection

Support opposite connection protection

### Mechanical

Shell: IP40, high strength iron shell.

Installation: DIN Rail

Dimension (W×H×D: 160 mm×70mm×130mm

Weight: 1021g

### Environmental

Operating Temperature: -45°C to 75°C

Storage Temperature: -45°C to 85°C

Relative Humidity: 10 to 95% (non-condensing)

### Standard

EMI: FCC Part 15, CISPR (EN55022) class A

EMS: EN61000-4-2 (ESD), Level 4

EN61000-4-3(RS), Level 3

EN61000-4-4 (EFT), Level 4

EN61000-4-5 (Surge), Level 4

EN61000-4-6(CS), Level 3

EN61000-4-8(PFM), Level 5

Shock: IEC 60068-2-27

Free fall: IEC 60068-2-32

Vibration: IEC 60068-2-6

### Warranty

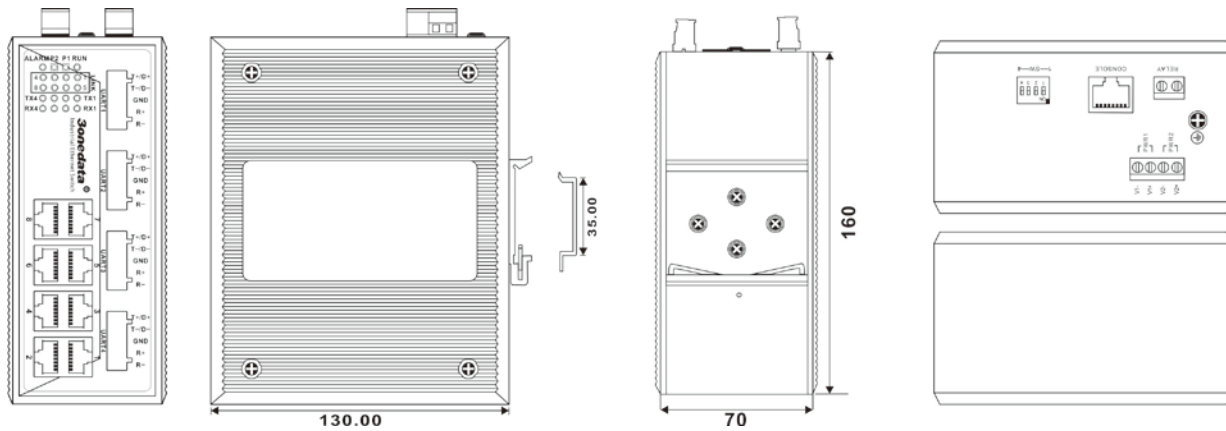
Warranty time: 5 years

### Certification

CE, FCC, RoHS, UL508(Pending)

**Dimension and appearance**

Unit (mm)



**Ordering information**

Option model	Port				Power supply
	100M Ethernet	100M fiber (SC/ST/FC) SM or MM	Serial port		
			RS-232	RS-485/RS-422	12~48VDC
Standard model					
IES618-4F-4D(RS-485) -P(12/48VDC)	4	4	—	4	
IES618-4F-4D(RS-232) -P(12/48VDC)	4	4	4	—	
IES618-2F-4D(RS-232) -P(12/48VDC)	6	2	4	—	
IES618-2F-4D(RS-485) -P(12/48VDC)	6	2	—	4	
IES618-4D(RS-485)- P(12/48VDC)	8	—	—	4	
IES618-4D(RS-232)	8	—	4	—	



-P(12/48VDC)					
--------------	--	--	--	--	--