

ES209G-1GF

8-port 10/100/1000M Ethernet+ 1-port 1000Base-FX

Unmanaged Industrial Ethernet Switch

Features

1. Support IEEE802.3, IEEE802.3u, IEEE 802.3x, IEEE802.3z, IEEE802.3ab
2. Support 8 port 10/100/1000Base-TX and 1 port 1000Base-FX
3. Ethernet port support 10/100/1000M self-adaption
4. Support flow control and port isolation
5. Support redundant power input (DC12~48V), reverse connection protection
6. Industrial grade design, 0-55°C work temperature
7. IP40 protection grade, DIN-Rail mounting
8. No fan design



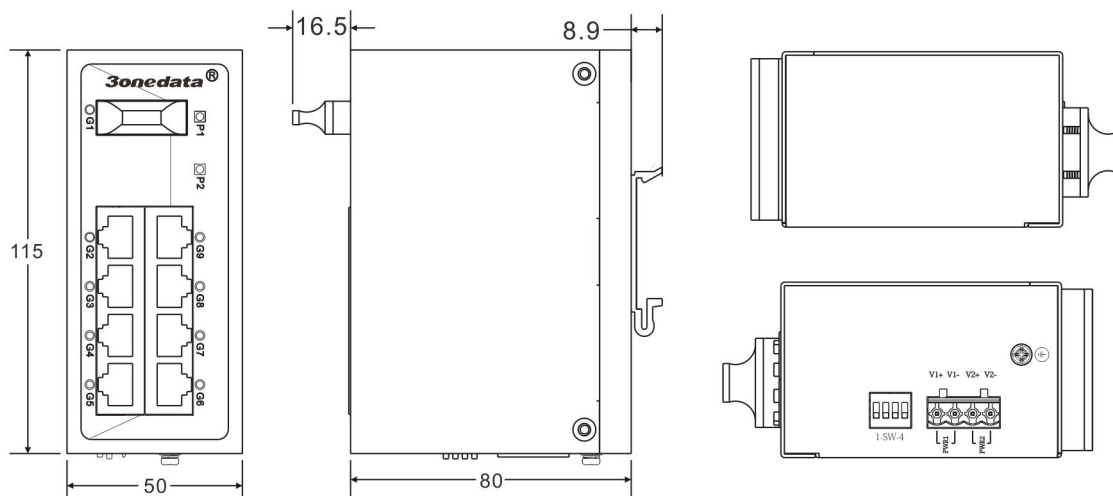
Introduction

The ES209G-1GF is a kind of full gigabit unmanaged Ethernet switch, it support 8 port 10/100/1000 Base-T(X) RJ45 Ethernet and 1 port 1000 Base-FX optical fiber interface, DC power supply (12-48VDC). It adopted no fan, low power consumption design, IP40, corrugate high strength iron shell, the performance is more steadily.

The product accorded with CE, FCC standard and Industrial 4 grades, DIN rail installation and wide operating temperature (0~55°C), it can satisfied some kinds of industrial environment, it can provide reliable and quickly solution for your Ethernet device.

Dimension

Unit (mm)





Specification

Technology

Standard: Support IEEE802.3, IEEE802.3u, IEEE802.3x, IEEE802.3ab, IEEE802.3z

Flow control: IEEE802.3x flow control, back press flow control

Exchange attribute

Transmit mode: store and forward

System exchange bandwidth: 18G

MAC address table: 8K

Memory: 1M

Interface

Electric port: 10Base-T/100Base-TX/1000Base-TX auto speed control, Half/full duplex and MDI/MDI-X auto detect

1000M optic fiber port: 1000Base-FX, SC/ST connector, support single mode (20/40/60/80Km optional), multi mode (2Km), wavelength: 1310nm, 1550nm

Transfer distance

Twisted-pair:: 100M (standard CAT5/CAT5e cable)

Multi-mode: 1310nm, 2Km

Single-mode: 1310nm, 20/40Km
1550nm, 60/80/100/120Km

LED indicator

Interface indicator: Link (G1~G9)

Power supply indicator: P1, P2

Power supply

Input Voltage: 12~48VDC

Type of input: 4 bit 7.62mm pitch terminal block

Support reverse connection protection

Consumption

No-load consumption: 3.9W@24VDC

Full-load consumption: 8.1W@24VDC

Working environment

Working temperature: 0~55°C

Storage temperature: -10~65°C

Relative Humidity: 5%~95 % (no condensation)

Mechanical Structure

Shell: IP40 protection, metal shell

Installation: DIN-Rail mounting

Size (W×H×D): 50mm×115mm×80mm

Industry Standard

EMI: FCC Part 15, CISPR (EN55022) class A

EMS: EN61000-4-2 (ESD), Level 1

EN61000-4-5 (Surge), Level 1

Shock: IEC 60068-2-27

Free fall: IEC 60068-2-32

Vibration: IEC 60068-2-6

Certification

CE, FCC, RoHS, UL508 (Pending)

Warranty: 5 years

Ordering Information

ES209G-1GF (M): 8 port 10/100/1000Baes-T(X) + 1 port 1000Base-FX Multi-mode SC/ST, 12-48VDC

ES209G-1GF (S): 8 port 10/100/1000Baes-T(X) + 1 port 1000Base-FX Single-mode SC/ST, 12-48VDC

ES209G-1GF (SS): 8 port 10/100/1000Baes-T(X) + 1 port 1000Base-FX single-mode, single fiber SC/ST, 12-48VDC

Packing List

1. Industrial Ethernet switch ES209G-1GF (plus terminal block) ×1
2. User manual × 1
3. Certificate of quality × 1
4. Warranty card × 1