

IMC101GT-1GF

Industrial gigabit media converter

Features

- 1.Support 1 10Base-T/100Base-TX/1000 Base-TX port and 1 1000Base-FX port
- 2.Support IEEE802.3/802.3u/802.3x/802.3z, store and forward
- 3.Ethernet port support 10/100/1000M self-adaption
- 4.Support LFP(Link Fault Pass-Through)
- 5.DC12~48V power input, reverse connection protection
- 6.IP40 protect grade, high strength iron shell, DIN Rail installation



Introduction

IMC101GT-1GF is a kind of industrial gigabit media converter, it support 1 10Base-T/100Base-TX/1000 Base-TX port and 1 1000Base-FX Fiber port. It support LFP function, it is easy to check the network connection status, it also support CE,FCC standard,

IMC101-GF adopt industry standard design, IP40 protection, rugged high-strength metal case, power supply input(12V~48VDC), -40 to 85°C working temperature.

Specification

Technology:

Standard: IEEE802.3, IEEE802.3u, IEEE802.3x, IEEE802.3z

Flow control: IEEE802.3x, back pressure control

Interface:

Gigabit Ethernet port:10Base-T/100Base-TX/1000Base-TX

Self-adaption

Gigabit fiber port: 1000Base-F(SC/FC/ST)

Transmission:

Twisted pair: 100M (Standard CAT5/CAT5e cable)

Multi mode fiber: 1310nm, 500m

Single mode fiber: 1310nm, 20/40/60Km

1550nm,20/40/60/80/100/120Km

Exchange of attribute:

100M forward speed: 148810pps

1000M forward speed: 1488100pps

Transmission: Store and forward

Memory: 1Mbits

MAC address: 1K

LED Indicator:

System: RUN

Ethernet port: G1 LINK

Fiber port: G2 LINK

Remote Ethernet port alarm: G1 LFP

Remote Fiber port alarm: G2 LFP

Power supply:

Power input: 24VDC(12~48VDC)

Terminal block: 3 bits 7.62mm terminal block

No-load power consumption:1.512W@24VDC

Full-load power consumption: 1.800W@24VDC

Support reverse connection protection

Mechanical:

Shell: IP40, high strength iron shell.

Installation: DIN Rail

Weight: 346.6g

Dimension(W×H×D): 110mm×35mm×95mm

Environmental:

Operating Temperature: -40 to 85°C

Storage Temperature: -45°C to 85°C

Ambient Relative Humidity:

10 to 95% (non-condensing)

Standard:

EMI: FCC Part 15, CISPR (EN55022) class A

EMS: EN61000-4-2 (ESD), Level 1

EN61000-4-4 (EFT), Level 4

EN61000-4-5 (Surge), Level 3

Shell: IEC 60068-2-27

Warranty:

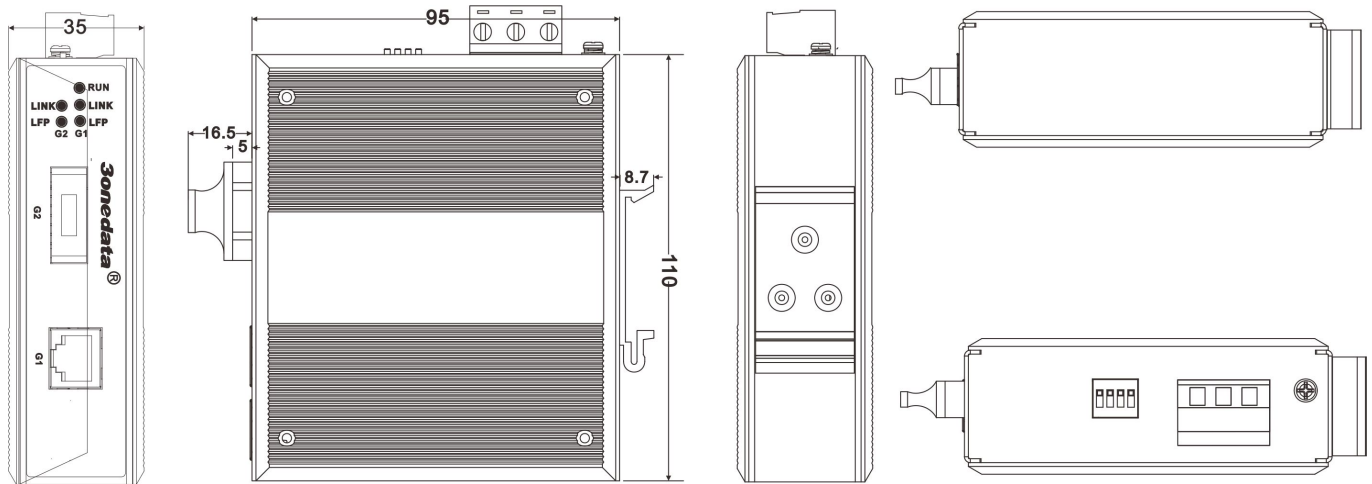
Warranty time: 5 years

Certification:

CE, FCC, RoHS, PAL, UL508(pending)

Dimension and appearance

Unit (mm)



Ordering Information

Model NO.	Description
IMC101GT-1GF(M)	Multi-mode, 500m, 12-48VDC, SC, FC or ST, optional
IMC101GT-1GF(S20)	Single-mode, 20Km, 12-48VDC, SC, FC or ST, optional
IMC101GT-1GF(S40)	Single-mode, 40Km, 12-48VDC, SC, FC or ST, optional
IMC101GT-1GF(S60)	Single-mode, 60Km, 12-48VDC, SC, FC or ST, optional
IMC101GT-1GF(S80)	Single-mode, 80Km, 12-48VDC, SC, FC or ST, optional
IMC101GT-1GF(S100)	Single-mode, 100Km, 12-48VDC, SC, FC or ST, optional
IMC101GT-1GF(S120)	Single-mode, 120Km, 12-48VDC, SC, FC or ST, optional
IMC101GT-1GF(SS20)	Single-mode, single fiber, 20Km, 12-48VDC, SC, FC or ST, optional
IMC101GT-1GF(SS40)	Single-mode, single fiber, 40Km, 12-48VDC, SC, FC or ST, optional
IMC101GT-1GF(SS60)	Single-mode, single fiber, 60Km, 12-48VDC, SC, FC or ST, optional
IMC101GT-1GF(SS80)	Single-mode, single fiber, 80Km, 12-48VDC, SC, FC or ST, optional