

# IMC101B Series

## Industrial Fast Ethernet Media Converter

### Features

1. IEEE802.3/802.3u/802.3x,store and forward
2. Provide 1 port 10/100Based-TX and 1 port 100M optic fiber
3. 10/100M, F/H duplex, MDI/MDI-X auto negotiation
4. -40 to 75°C operating temperature range
5. Designed for industrial applications. IP30 protection, rugged high-strength metal case, DIN rail mount
6. Plug-and-play, easy to installation



### Introduction

IMC101B is a fast 10/100Base-TX Industrial Ethernet Media Converter, easy to connect server, repeater, switch, device to device, Can satisfy customers require for long distance, high speed, wide broadcast. Beside this, IMC101B supports electric working mode/rate setting.

IMC101B series support 1 TP ports and 1 fiber ports. TP(RJ45)

support 10/100Base-T(X), Full/Half duplex mode, and auto MDI/MDI-X connection; 100BaseFX supports single-/multi-mode, SC/ST connector, optional.

IMC101 adopts industry standard design, IP30 protection, rugged high-strength metal case, power supply input(12V ~ 48VDC), -40 to 75°C working temperature.

### Specification

#### Technology

Standards: IEEE802.1 10Base-T, IEEE802.3u

100Base-TX, IEEE802.3 100Base-FX

RJ45 port rate: 10/100BaseT(X) auto connection,

F/H duplex or force work mode,  
and support MDI/MDI-X connection

Fiber Ports: 100BaseFX ports (SC/ST optional)

Single-mode: 20, 40,60, 80, 120Km,optional

Multi-mode: 2Km

Wavelength: 850nm, 1310nm, 1550nm

Typical 100Base-FX:

Multi-mode: 155Mbps, 1310nm, 2Km,

average output $\geq$ -18dBm, sensitivity $\leq$ -35dBm

Single-mode: 155Mbps, 1310nm, 20Km,

average output $\geq$ -12dBm, sensitivity $\leq$ -36dBm

#### Power

Input Voltage: 24VDC (12VDC~48VDC)

Opposite connection protection

Connector: 3 bit 7.62mm terminal block

No load consumption: 1.2W@24VDC

Full load consumption: 1.368W@24VDC

#### Indicator

Port indicator: TLINK, FLINK

Power indicator: PWR

#### Mechanical

Dimensions: 110mm×35mm×95mm (H×W×D)

Casing: IP40 protection, Metal case

Weight: 340g

#### Environmental

Operating Temperature: -40 to 75°C

Storage Temperature: -40 to 85 °C

Ambient Relative Humidity: 5% to 95% (non-condensing)

#### Approvals

EMI: FCC Part 15, CISPR (EN55022) class A

EMS: EN61000-4-2(ESD), level 4

EN61000-4-3(RS), level 4

EN61000-4-4(EFT), level 4

EN61000-4-5 (Surge), level 4

EN61000-4-6 (CS), level 4

EN61000-4-8, level 4

EN61000-4-11, level 4

Shock: IEC 60068-2-27 PASS

Free Fall: IEC 60068-2-32 PASS

Vibration: IEC 60068-2-6 PASS

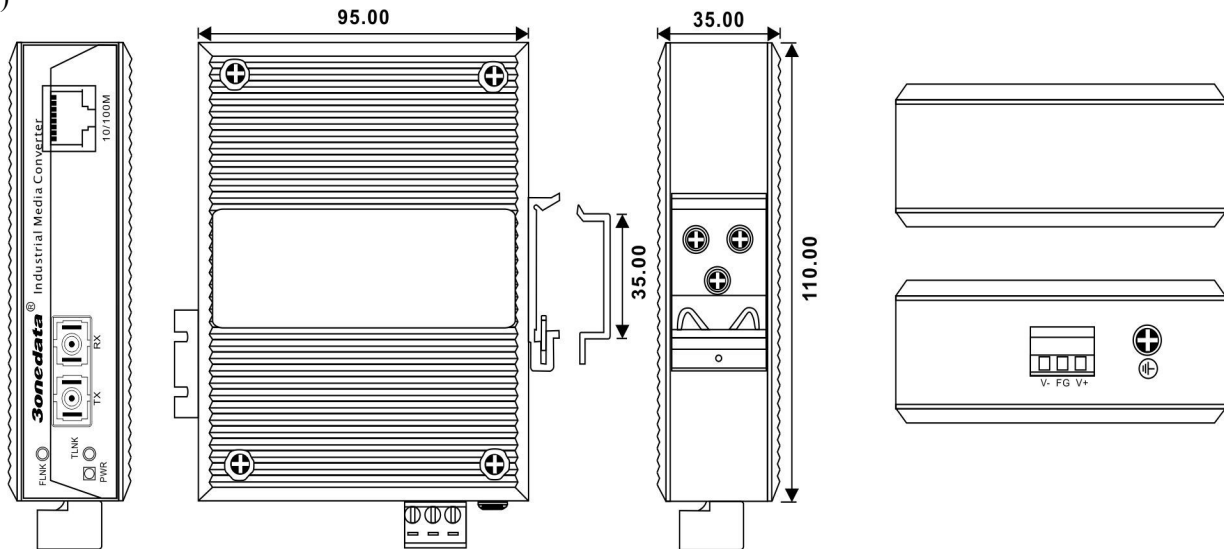
Warranty: 5 years

**Packing List**

1. Industrial Media Converter IMC101B series (plus terminal block)×1
2. User manual ×1
3. DIN-Rail fittings ×1
4. Warranty card

**Dimension**

Unit(mm)



**Ordering Information**

Model NO.	Description
IMC101B-M	Multi-mode, 2Km, 12~48VDC, SC/ST optional
IMC101B-S/20	Single-mode, 20Km, 12~48VDC, SC/ST optional
IMC101B-S/40	Single-mode, 40Km, 12~48VDC, SC/ST optional
IMC101B-S/60	Single-mode, 60Km, 12~48VDC, SC/ST optional
IMC101B-S/80	Single-mode, 80Km, 12~48VDC, SC/ST optional
IMC101B-S/100	Single-mode, 100Km, 12~48VDC, SC/ST optional
IMC101B-S/120	Single-mode, 120Km, 12~48VDC, SC/ST optional
IMC101B-SS/20	Single-mode, single fiber, 20Km, 12~48VDC, SC/ST optional
IMC101B-SS/40	Single-mode, single fiber, 40Km, 12~48VDC, SC/ST optional
IMC101B-SS/60	Single-mode, single fiber, 60Km, 12~48VDC, SC/ST optional
IMC101B-SS/80	Single-mode, single fiber, 80Km, 12~48VDC, SC/ST optional