



IMC101B-F

DIN-Rail Mounting

2-port 100M Unmanaged Industrial Media Converter

- Support 1 100M fiber port, 1 100M copper port
- Support input voltage: 12~48VDC, nonpolarity, reverse polarity protection
- Support -40~75°C wide operating temperature range



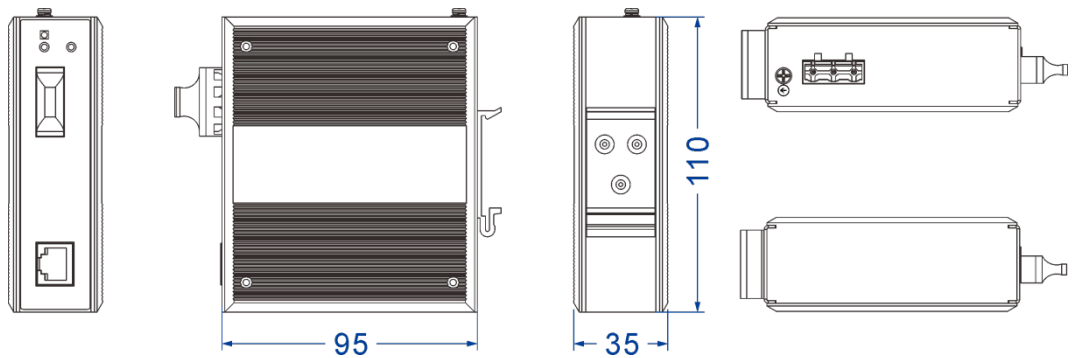
Introduction

IMC101B-F is 2-port 100M unmanaged industrial media converter. The product provides 100M copper port and 100M fiber port. It adopts DIN-Rail mounting to meet the requirements of different application scenes.

Hardware adopts fanless, low power consumption, wide temperature and voltage design and has passed rigorous industrial standard tests, which can suit for the industrial scene environment with harsh requirements for EMC. It can be widely used in smart grid, rail transit, smart city, safety city, new energy, aerospace, intelligent manufacturing, military project and other industrial fields.

Dimension

Unit:mm



Specification

Standard & Protocol	IEEE 802.3 for 10Base-T IEEE 802.3u for 100Base-TX and 100Base-FX
Interface	Copper port: 10/100Base-T(X), RJ45, Automatic Flow Control, Full/Half Duplex Mode, MDI/MDI-X Autotuning Fiber port: 100Base-FX, SC/ST/FC optional
LED Indicator	Port Indicator, Power Supply Indicator
Switch Property	Transmission mode: store and forward MAC address: 2K Packet buffer size: 0.5Mbit Backplane bandwidth: 1.2G

Switch time delay: < 10 μ s

Power Requirement	12~48VDC, 3-pin 7.62mm pitch terminal blocks Support nonpolarity, reverse polarity protection
Power Consumption	No-load: 1.20W@24VDC Full-load: 1.37W@24VDC
Environmental Limit	Operating temperature: -40~75°C Storage temperature: -40~85°C Relative humidity: 5% ~ 95% (no condensation)
Physical Characteristic	Housing: IP40 protection, metal Installation: DIN-Rail mounting Dimension (W x H x D): 35mm×110mm×95mm Weight: 340g
Industrial Standard	IEC 61000-4-2 (ESD), Level 4 <ul style="list-style-type: none"> ● Air discharge: ± 16kV ● Contact discharge: ± 8kV IEC 61000-4-5 (Surge), Level 4 <ul style="list-style-type: none"> ● Power supply, common mode ± 4kV, differential mode ± 2kV ● Ethernet interface: ± 4kV Shock: IEC 60068-2-27 Free fall: IEC 60068-2-32 Vibration: IEC 60068-2-6
Certification	CE, FCC, RoHS
Warranty	5 years



Ordering Information

Available Models	100M Fiber Port	100M Copper Port	Power Supply Range
IMC101B-F	1	1	12~48VDC



Address: 3/B, Zone 1, Baiwangxin High Technology Industrial Park, Song Bai Road, Nanshan District, Shenzhen, 518108, China

TEL.: +86-755-26702668 ext 835 FAX: +86-755-26703485

E-mail: ics@3onedata.com

Website: www.3onedata.com

◀ [Please scan our QR code for more details](#)

*Product pictures and technical data in this datasheet are only for reference. Updates are subject to change without prior notice. The final interpretation right is reserved by 3onedata.