

IEM615-2D-2C

5-Port Fast Ethernet + 2-Port Serial + 2-Port CAN-Bus

Embedded Industrial Ethernet Switch Module

Features

- Support IEEE802.3, IEEE802.3u, IEEE 802.3x, IEEE802.1Q, IEEE802.1p, IEEE802.1D/W, IEEE802.3ad
- Support the 5 Fast Ethernet interface, all the ports support 1/100Base-T(X) and 100Base-FX optional
- Support the 2 serial ports, support RS-232/485/422 serial port to Ethernet
- Support the 2 CAN-Bus ports, support CAN-Bus to Ethernet
- SW-Ring ring network patent technology (Fault recovery time<20ms)
- Support static multicast and IGMP Snooping
- Support Port based VLAN and IEEE 802.1Q VLAN
- Support QOS absolutely and opposite priority
- Support rate control, Broadcast storm control
- Support WEB, Telnet and SNMP configuration
- Support port frame statistics
- Support configuration file up and download
- Support relay alarm output
- -40-85°C work temperature
- Compact size, high integration, metal shield



Introduction

IEM615-2D-2C is an industrial grade, embedded, managed and redundancy Ethernet switch module which supports 5 Fast Ethernet ports, 2 serial ports and 2 CAN-Bus ports. IEM615-2D-2C embedded module can make the customer's industrial equipment has the function of network management switch. It provided some kinds of advanced network managed function, like as: SW-Ring redundancy ring network, VLAN, Trunking, Quality of Service, Speed control, port mirroring, fault alarm and firmware upgrade online. The Ethernet redundant SW-Ring (recovery time < 20 ms) can increase system reliability switches and the availability of your network backbone.

It can be widely used in vehicle system, coal mine monitoring system, water conservancy and hydropower monitoring system, petrochemical pipeline monitoring system, intelligent traffic monitoring system, water treatment monitoring system and other equipment.

Specification

Technology

Standard: Support IEEE802.3, IEEE802.3u, IEEE802.3x, IEEE802.1Q, IEEE802.1p, IEEE802.1D/W, IEEE802.3ad

Protocol: ARP, ICMP, TCP, DHCP, DNS, HTTP, Telnet, RSTP, SNMP, SW-Ring

Flow control: IEEE802.3x flow control, back press flow control

Function

Switch function: SW-Ring, IGMP Snooping, QOS, 802.1Q VLAN, Port Trunking, SNMP, static multicast filter, port

mirroring, bandwidth management, broadcast storm control, port flow statistics, upgrade online, up and download configuration file, user name access system

SW-Ring: Support Single, Couple, Chain, Dual homing

Serial server function: 2 ports serial device server, each port support 4pcs TCP or UDP session connection.

Band rate: 300 ~ 115200bps

CAN-Bus server function: 2 ports CAN-Bus server, each port support 4pcs TCP or UDP session connection.

Band rate: 5k ~ 1Mbps

Exchange attribute

100M forward speed: 148810pps

Transmit mode: store and forward

System exchange bandwidth: 1.2G

MAC address table: 2K

Memory: 0.5Mbit

Interface

Fast Ethernet ports: support 5 Fast Ethernet ports, optical fiber interface or RJ45 interface optional

Serial server port: 2 channel full signal LVTTTL level serial port

CAN-Bus server port: 2 channel LVTTTL level CAN-Bus

Console port: LVTTTL level serial interface, serial network configuration can be carried out

Alarm port: 2 channel LVTTTL level monitoring signal input,

1 channel LVTTTL level alarm information output

Power supply

Input Voltage: 3.3VDC (±5%)

Full-load consumption: 1.5W

Working environment

Working temperature: -40 ~ 85°C

Storage temperature: -40 ~ 85°C

Relative Humidity: 5%~95% (no condensation)

Mechanical Structure

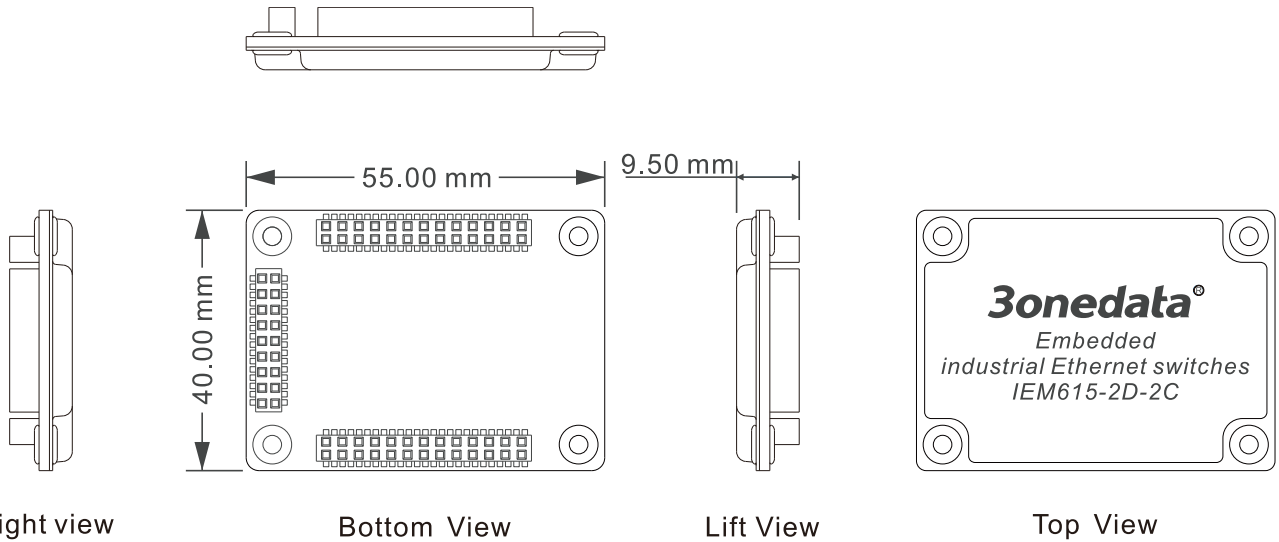
Size (L×W×H): 55mm×40mm×9.5mm

Certification

CE, FCC, RoHS, UL508 (Pending)

Warranty: 5 years

Dimension (Unit: mm)



Packing List

- 1. Embedded Industrial Ethernet Switch Module x 1